

ELEMENTS OF ART

LINE

The path created by a moving point through space.

LINE DIRECTIONS



Horizontal



Vertical



Diagonal

DIFFERENT TYPES OF LINES



LINE QUALITY

Refers to the thickness or thinness of a line.

thick

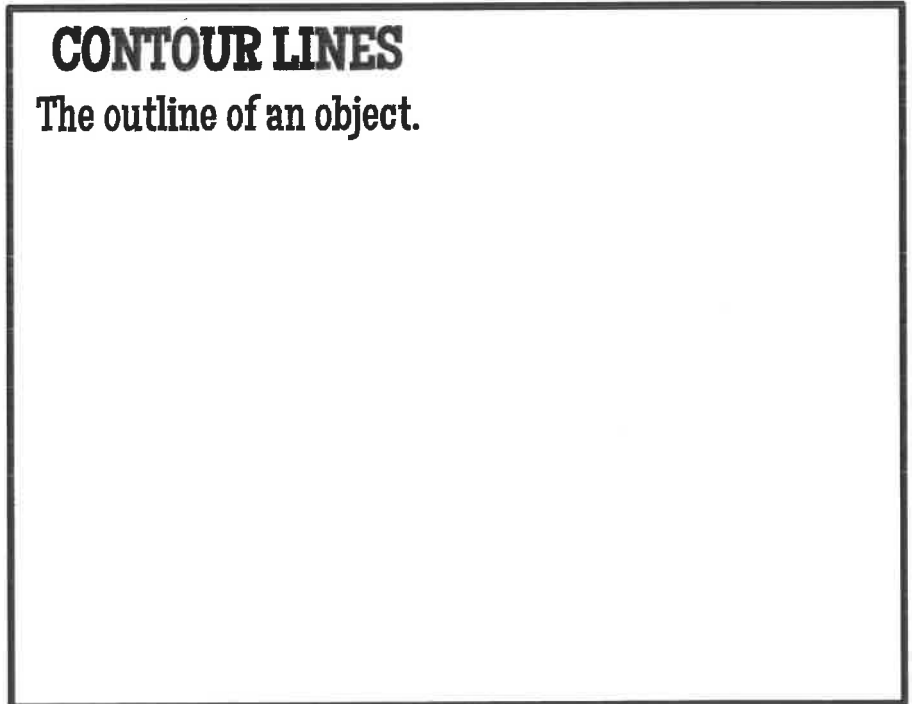


thin

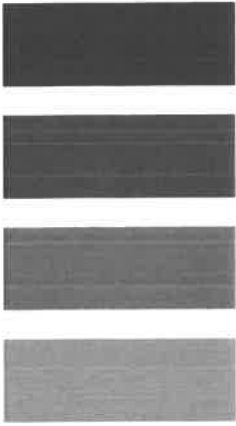


CONTOUR LINES

The outline of an object.



ELEMENTS OF ART



VALUE

The lightness or darkness of a color.

VALUE SCALE A range of values from dark to light.



HATCHING (Parallel lines)



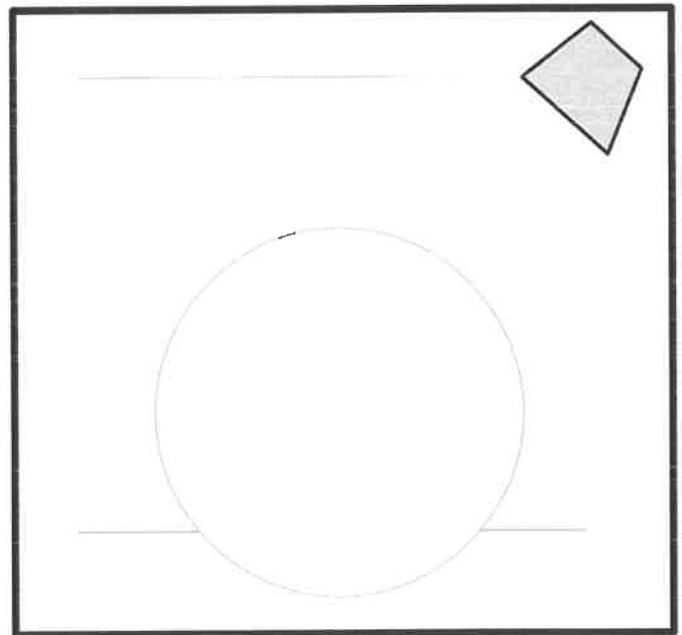
CROSS HATCHING (Crossing lines)



STIPPLING (Dots)



HIGHLIGHTS & SHADOWS



HIGHLIGHTS

Where the light hits the object.

SHADOWS

Where the light doesn't hit the object.

ELEMENTS OF ART



COLOR

Produced by light reflecting off of objects.



HUE The name give to a color..

COLOR WHEEL

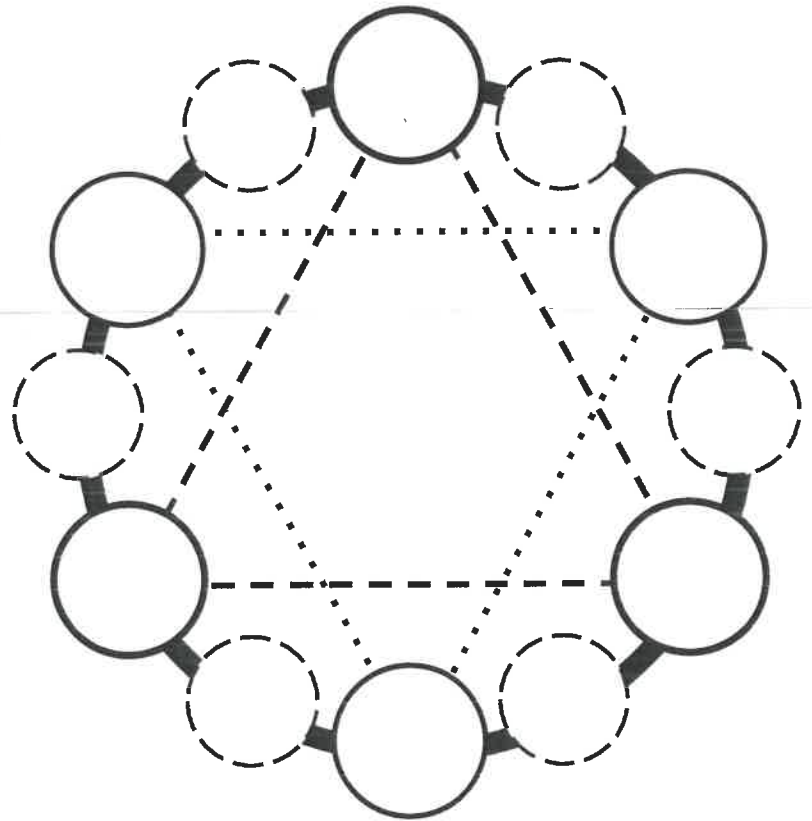
PRIMARY COLORS

Three colors in which all colors are made from.



SECONDARY COLORS

Two primary colors mixed together.



TERTIARY COLORS

Primary and Secondary colors mixed together.



ELEMENTS OF ART



SHAPE

A two-dimensional enclosed space.



GEOMETRIC SHAPES

Mathematical shapes

IMPLIED SHAPES

A shape that doesn't physically exist but is suggested.



ORGANIC SHAPES
Freeform, Irregular shape



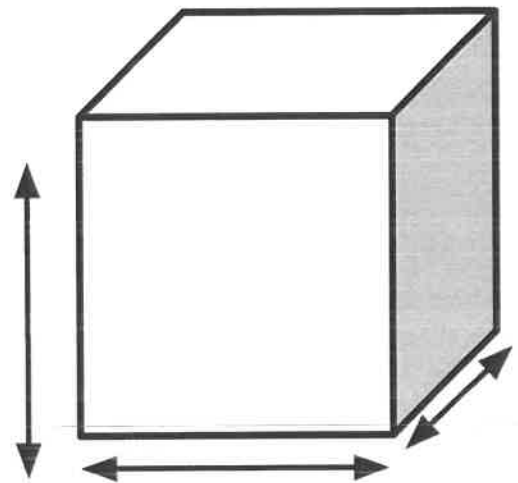
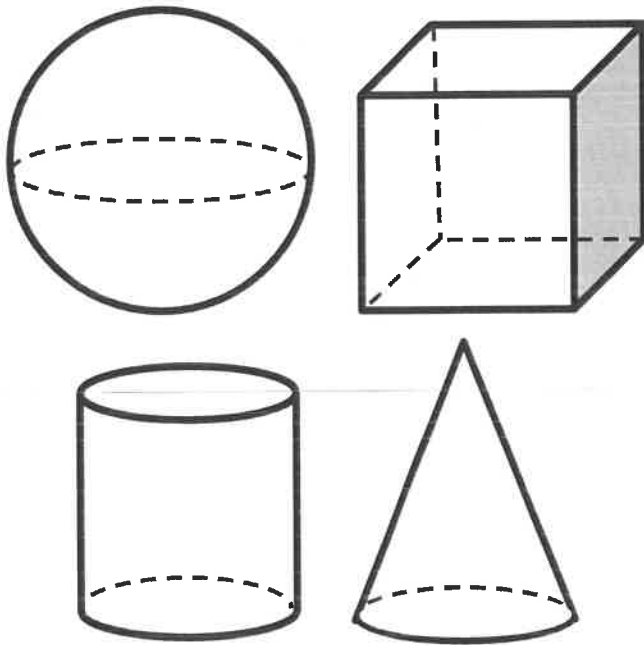
ELEMENTS OF ART

FORM

Three-Dimensional
object which
encloses volume.

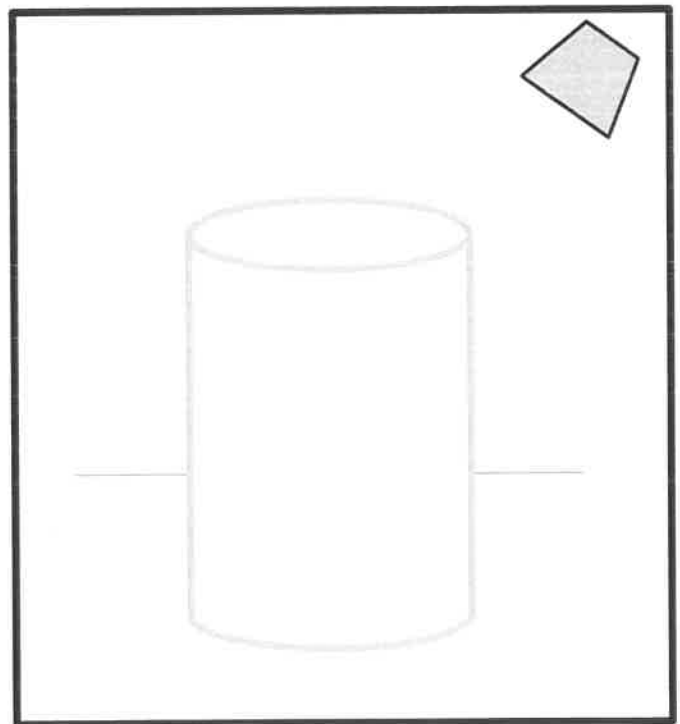
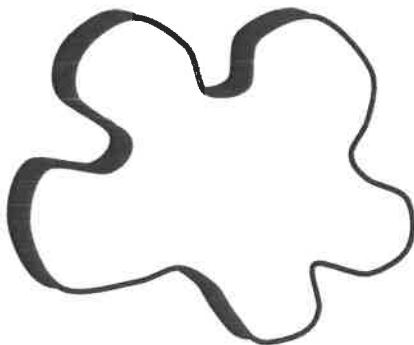
GEOMETRIC FORMS Manmade forms
that follow mathematical rules.

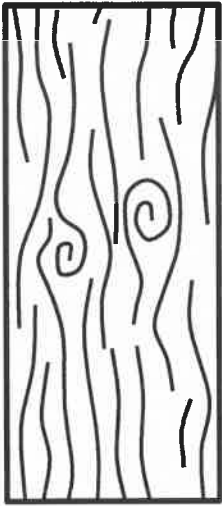
FORMS HAVE 3 THINGS:



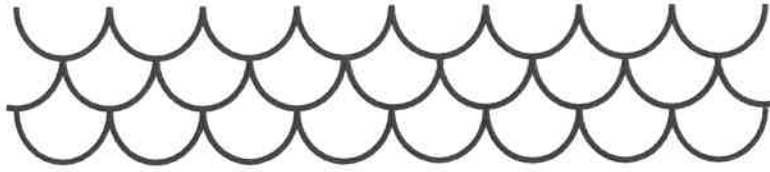
ORGANIC FORMS

Non man made forms that don't
follow mathematical rules.





ELEMENTS OF ART



TEXTURE

The way something feels or looks like it would feel.

REAL TEXTURE

The way something actually feels.

IMPLIED TEXTURE

The way something looks like it could feel.

Soft

Rough

Wet

Bumpy

Woven

Smooth

ELEMENTS OF ART

SPACE

The area around, inside, or between shapes or forms.

ILLUSIONS OF DEPTH

Placement

Size

Overlapping

Color/Value

Details

BACKGROUND
MIDDLE-GROUND
FOREGROUND

POSITIVE SPACE

Space occupied by an object.

NEGATIVE SPACE
Empty space around an object.



LINEAR PERSPECTIVE

A drawing technique used to create the illusion of depth.

